



The **IK MULTI 1.5 sprayer** offers a professional spraying solution to achieve optimum results in a wide range of sectors.

IK MULTI 1.5 is designed for maximum strength and versatility with the most aggressive chemicals. This sprayer is particularly resistant to acids.



### Sectors in which to use

- Building
- Cleaning and disinfection
- Industry and maintenance
- Automotive and detailing
- Pest control
- Epidemics & virus control
- Air conditioning (HVAC)

### Products with which to use

**optimal** Disinfectants, neutral products, acids

**limited** Solvent-based pesticides, alcohols, oils, solvents and petroleum by-products



### CHEMICAL PRODUCT TABLE

**IK MULTI /  
IK MULTI Pro**

Oils, solvents and petroleum by-products	L
Acids	✓
Alkalis and ketones	✗
Alcohols	L
Disinfectants	✓
Solvent based pesticides	L
Neutral products	✓

L Optimal ✓ Limited ✗ Not valid

### Technical information

Technical information	MULTI 1.5
VALVE	Tared 2.5 bar - 36 psi despresurizable
STANDARD NOZZLES	Adjustable conical nozzle and fan
USEFUL CAPACITY	1 L - 35 oz
TOTAL CAPACITY	1.5 L - 50 oz
LITRES/MIN. 3 BAR	0.50 l/min - 0.13 gal/min
GROSS WEIGHT	0.60 kg - 1.32 lb
NET WEIGHT	0.46 kg - 1.02 lb

### Logistics data

Logistics data	MULTI 1.5
CODE	8.17.71
EAN	84.14685.10170.9
CONDITIONING	6 units
UNITS PER PALLET	90 units
DIMENSIONS PER PALLET EU	1200 x 800 x 960

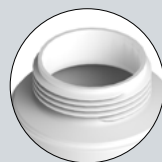
### Functional information



Safety valve with depressurisation option



Protective sleeve for valve chamber



Large opening easy filling



Translucent tank with level indicator





## ACCESSORIES



Personalize your sprayer adapting it to your application needs (height, hard-to-reach areas...)



**FLEX PIPE 0.25 M - 9.84 INCH**  
Reference 8.38.77.810

A flexible pipe of 0.25 m - 9.84 inch for applications in places that are hard to reach. Do not use it with acid or corrosive products.



**13,5 CM - 5.31 INCH LANCE**  
Reference 8.38.11.831

13,5 cm - 5.31 inch lance in fibreglass for applications of difficult access (inside and outside corners, etc.). This accessory needs an adaptor M18 for the IK HC 1,5 product.



**CONTENT IDENTIFIER IK 1.5/2**  
Reference 8.16.71.900

Colour caps to identify deposit content between devices of the same line.

## MAINTENANCE KITS



Keep your sprayer always ready and get maximum performance

**IK MULTI-FOAM 1.5 - PRO 2 MAINTENANCE KIT**  
Reference 8.17.71.874



CHAMBER VALVE N. 165	8.38.05.314.1	
ROUND GASKET Ø15 N. 603	2.23.99.43.916	
ROUND GASKET AN-5 N. 607	2.23.16.905	
ROUND GASKET N. 098	2.23.16.990	
ROUND GASKET N. 1269	2.23.16.128	
SHAFT WITH JOINT N. 1285	8.17.71.603	

**IK MULTI 1,5 / PRO 2 NOZZLE KIT**  
Reference 8.17.71.871

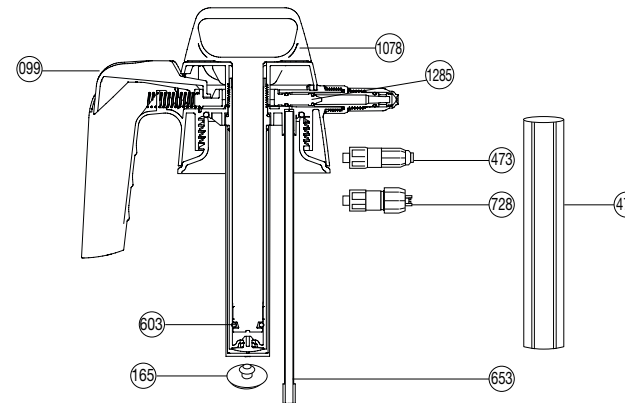
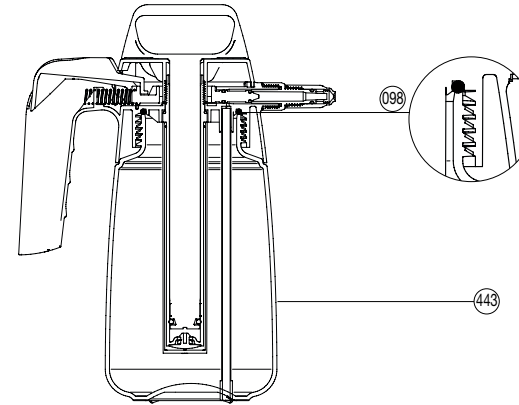


M12 COMPLETE ADAPTER	8.17.71.601	
M18 COMPLETE ADAPTER	8.17.71.602	

## SPARE PARTS



Extend the service life of your sprayer easily replacing parts



N.	COD.	Q	SPARE PARTS NAME
98	2.23.16.990	1	ROUND GASKET
99	8.17.71.801	1	COMPLETE CHAMBER
165	8.38.05.314.1	1	CHAMBER VALVE
443	8.17.71.301	1	TANK
473	8.17.71.601	1	M-12 ADAPTER WITH ADJUSTABLE CONICAL NOZZLE
474	8.17.71.305	1	CYLINDER GUARD
603	2.23.99.439.16	1	ROUND GASKET Ø15
653	8.28.27.320	1	TUBE WITH FILTER
728	8.17.71.602	1	M-18 ADAPTER WITH FAN NOZZLE
1078	8.17.71.802	1	COVER WITH HANDLE
1285	8.17.71.603	1	SHAFT WITH JOINT
	8.17.71.200	1	INSTRUCTION SHEET
	8.17.71.201	1	PACKAGING